



FIG. 1

PRIOR ART

Replacement Drawing in Response to
11 Dec. 2007 Office Action
USSN: 101/717,717
Art Unit: 1792
Sheet 1 of 6

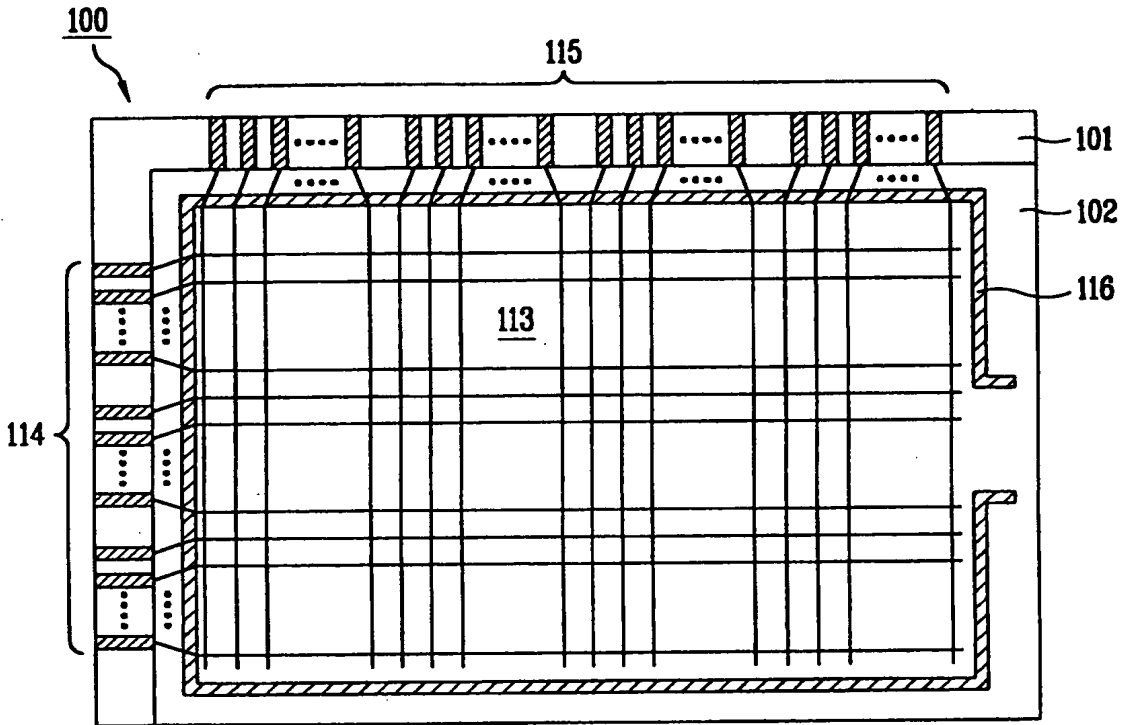


FIG. 2A

PRIOR ART

Replacement Drawing in Response to
11 Dec. 2007 Office Action
USSN: 101/717,717
Art Unit: 1792
Sheet 2 of 6

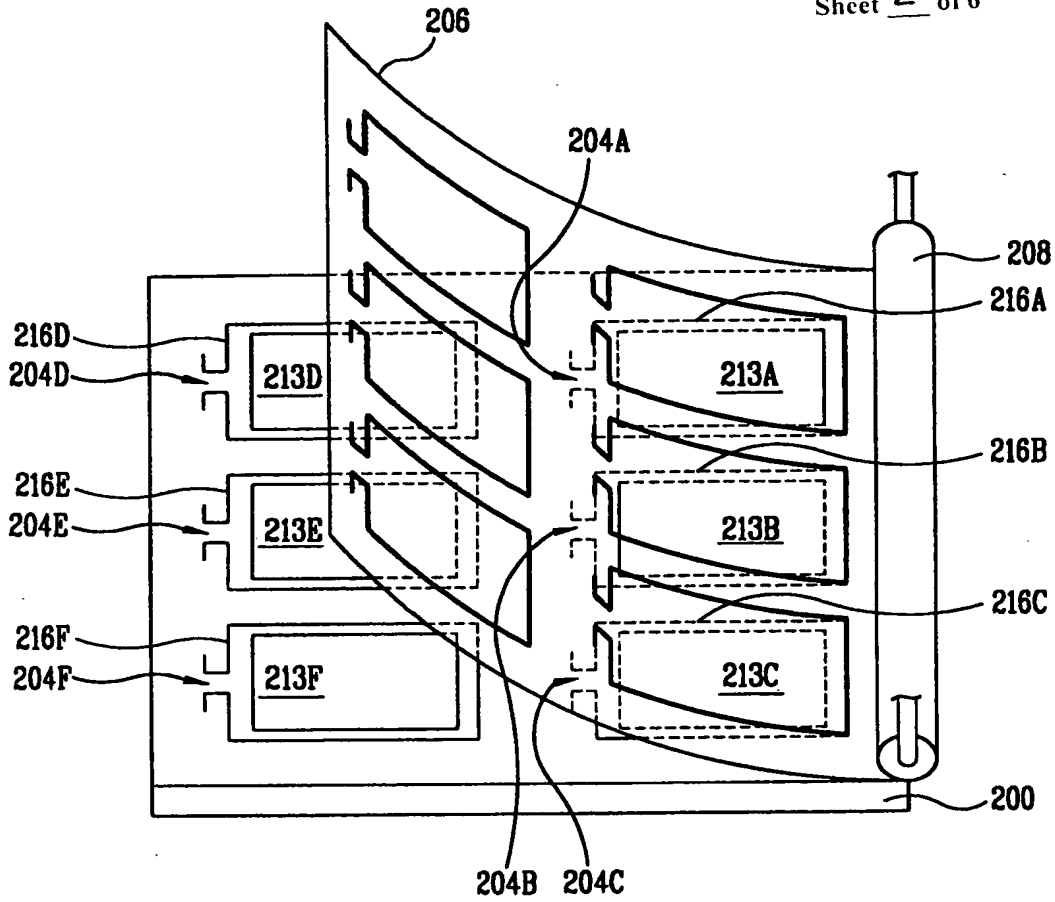


FIG. 2B

PRIOR ART

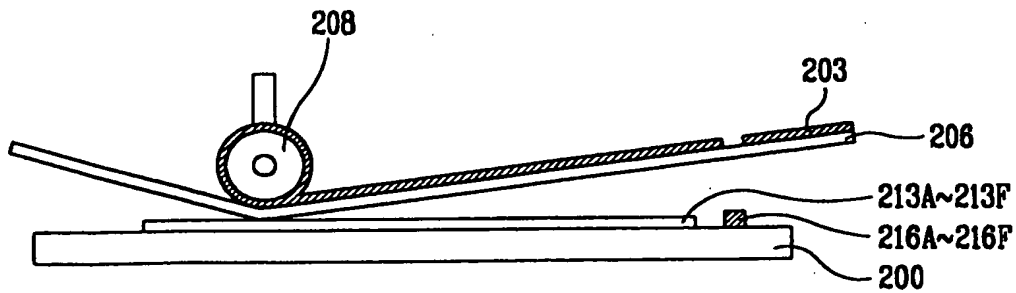


FIG. 3
PRIOR ART

Replacement Drawing in Response to
11 Dec. 2007 Office Action
USSN: 101/717,717
Art Unit: 1792
Sheet 3 of 6

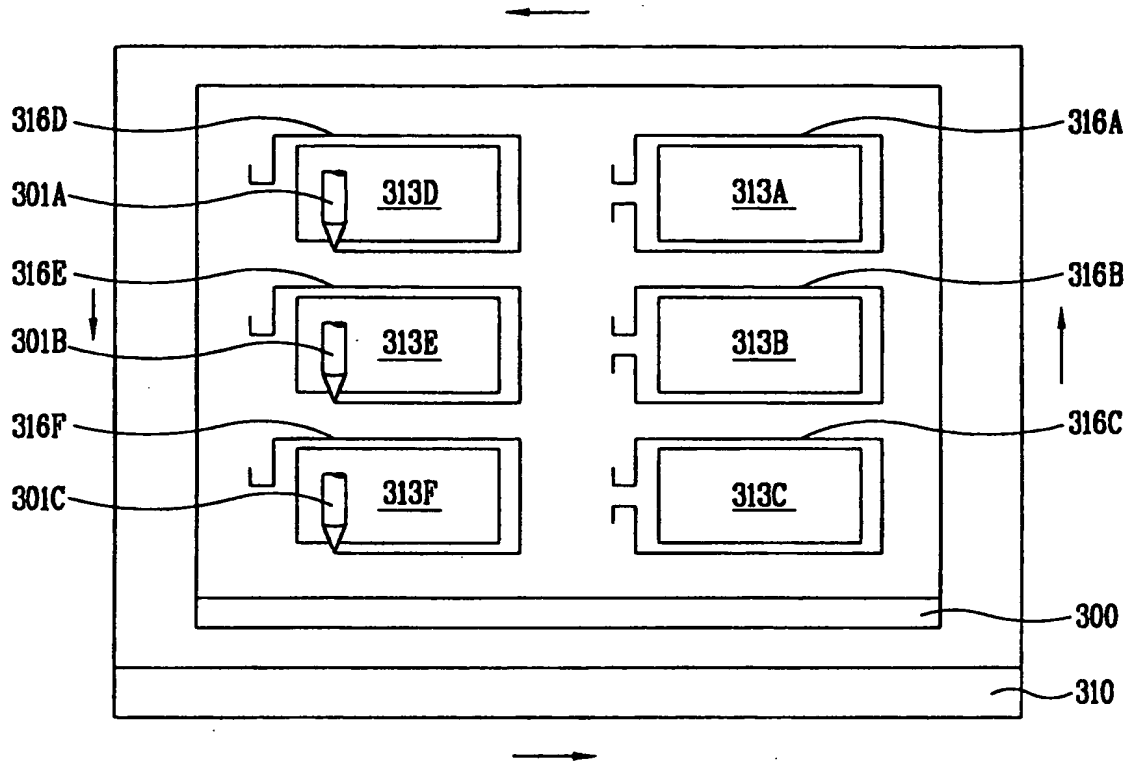


FIG. 4A
PRIOR ART

Replacement Drawing in Response to
11 Dec. 2007 Office Action
USSN: 101/717,717
Art Unit: 1792
Sheet 4 of 6

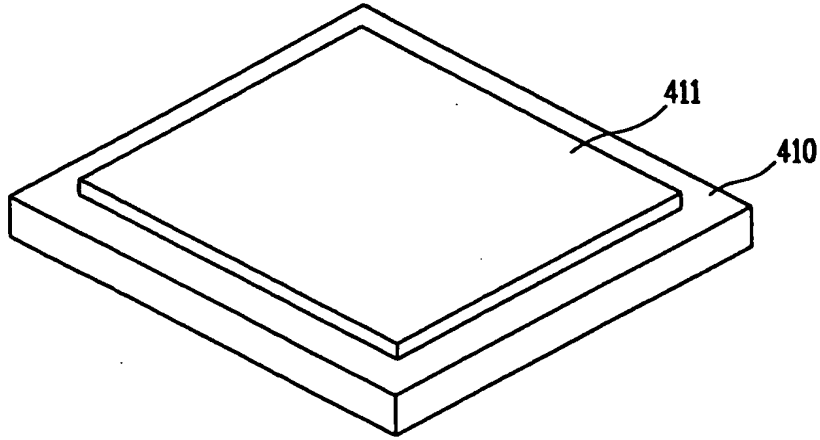


FIG. 4B
PRIOR ART

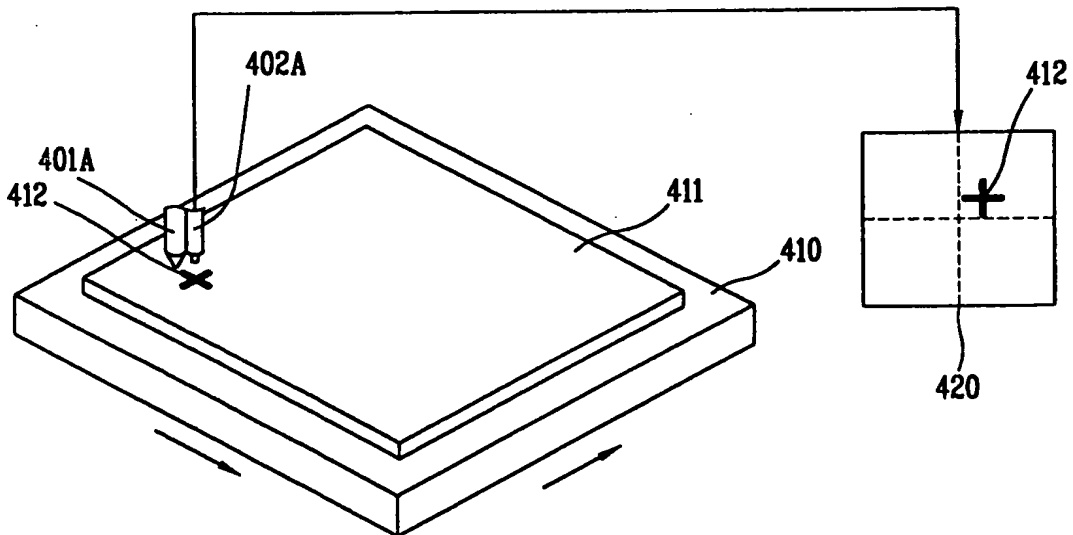


FIG. 4C
PRIOR ART

Replacement Drawing in Response to
11 Dec. 2007 Office Action
USSN: 101/717,717
Art Unit: 1792
Sheet 5 of 6

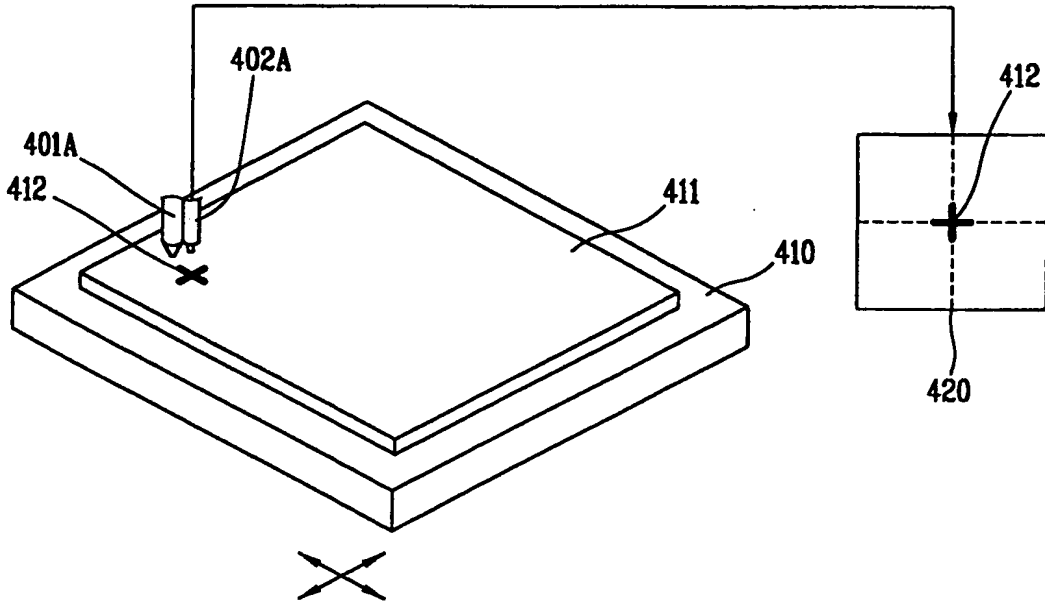


FIG. 4D
PRIOR ART

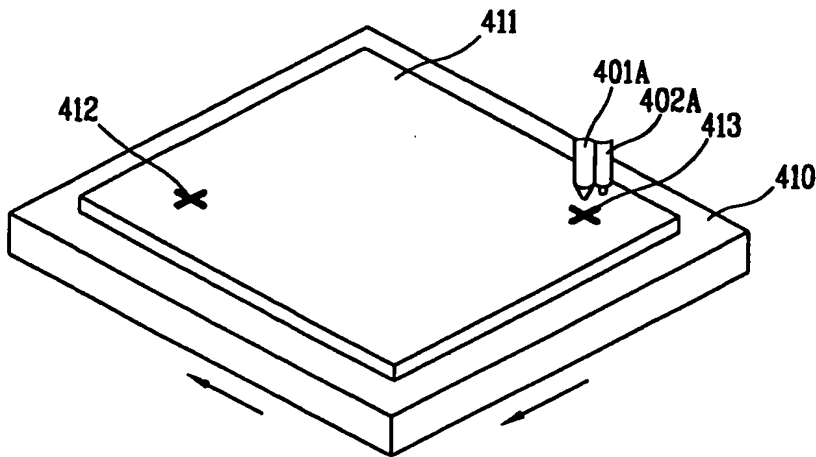


FIG. 4E
PRIOR ART

Replacement Drawing in Response to
11 Dec. 2007 Office Action
USSN: 101/717,717
Art Unit: 1792
Sheet 6 of 6

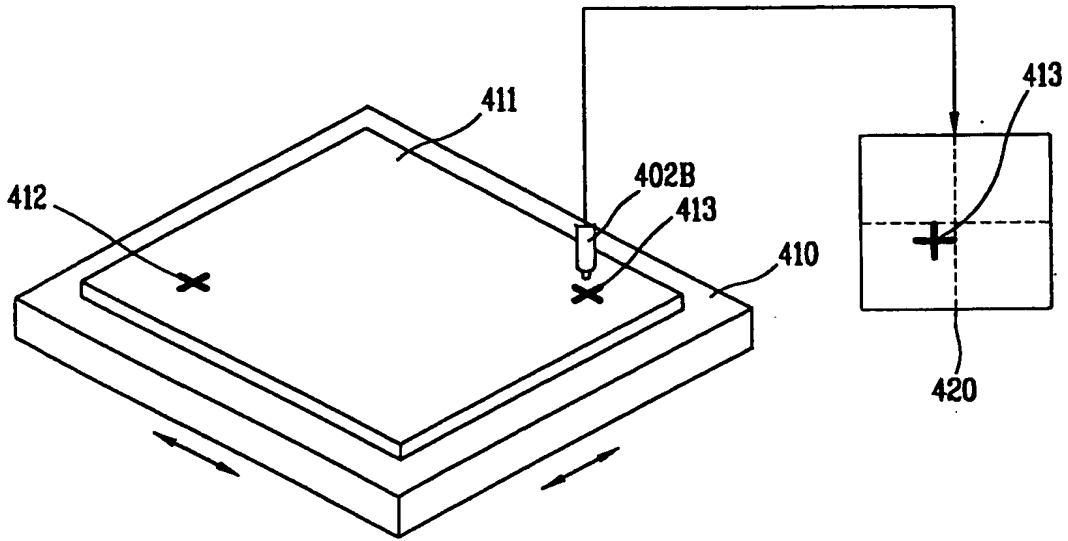


FIG. 4F
PRIOR ART

